

ActivPanel Touch



Copyright Information

TP1871 Issue 02 © 2013 Promethean Limited. All rights reserved.

Promethean is owner of a number of trademarks in several jurisdictions across the world. The Promethean products documented in this guide include aspects which are protected under their respective patent, copyright, design copyright, registered design and trademark laws.

All other trademarks remain the property of their respective owners.

This guide is distributed online. It may only be reproduced for use within the institution in which the product is used. For use outside of your institution, no part of this guide may be reproduced, transmitted, stored in a retrieval system or translated into any other language without the prior permission of Promethean Limited.

Please note that the content in this guide is protected under copyright law. Although every care has been taken in the compilation of this guide, Promethean Limited accepts no responsibility for errors or omissions, or for damages resulting from the use of information contained within the following pages.

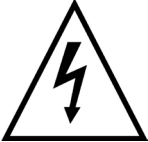

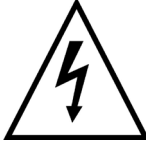

Contents

Safety Information	4
Environmental Considerations	6
Box Contents	6
You Will Need	7
Installation	8
Notes	12

Read and understand all safety information, operating instructions, and product labels

before operating the ActivPanel Touch.

Keep this guide in a safe place for future reference.

WARNING:		To reduce the risk of fire or electric shock, do not expose this product to smoke, rain, dust or moisture!	
	CAUTION Risk of electric shock do not open		
Caution:	To reduce the risk of electric shock, do not remove cover (or back). No user-serviceable parts inside. Refer servicing to qualified service personnel.		<p>The lightning flash with arrow-head symbol, within an equilateral triangle, is intended to alert the user to the presence of "dangerous voltage" within the product's enclosure that may be sufficient to constitute a risk of electric shock to persons.</p> <p>The exclamation point within a triangle is intended to alert the user to the presence of important operating and maintenance (servicing) instructions.</p>

This product is designed and manufactured to operate within defined design limits, and misuse may result in electric shock or fire.

The installation of this product should be completed by a Promethean Certified Installer.

Use of components not supplied by Promethean or not meeting minimum specifications may impact performance and affect the warranty. For Promethean Warranty Terms and Conditions, please visit www.PrometheanWorld.com/ActivCare

- Inspect the ActivPanel Touch for any physical damage to the casing before use. If damage is apparent, take care to avoid contact with any potentially live parts.
- Do not under any circumstances try to gain access to internal parts of the ActivPanel Touch. If you suspect that the device is damaged or faulty, you should contact Technical Support, or an authorised Promethean service agent for advice.
- Always use accessories recommended by Promethean to ensure compatibility.
- Only use the power cable that is compatible with your mains outlet socket. If you are unsure of the electrical compatibility of your equipment, please contact Promethean or an authorised Promethean service agent before attempting to connect the device to the mains supply.
- Use a wall socket that is close to the ActivPanel Touch and that is easily accessible.
- Firmly insert the power plug into the wall socket. Partial connection could cause sparks or fire.
- To avoid the risk of electric shock or component damage, disconnect the ActivPanel Touch from the power supply before plugging in any other cables.
- To avoid the risk of electric shock, do not touch the power plug with wet hands.
- Hold the power plug when unplugging the device. Pulling the power cable may damage the wires inside the cable and cause fire or electric shock.
- Unplug the power plug before cleaning the ActivPanel Touch.

Safety Information

- Do not use any liquid or a spray cleaner when wiping the device. Use a slightly damp cloth. Never use any alcohol-, solvent-, or ammonia-based liquid when wiping the screen. Do not use abrasive cleaners.
- When moving the ActivPanel Touch from an area of low temperature to one of high temperature, condensation may form on the housing. Do not power on the device immediately after this to avoid causing fire, electric shock or component damage.
- To avoid electric shock, avoid handling the power cable during electrical or thunder storms.
- Unplug the ActivPanel Touch during a lightning storm or when it will not be used for a long period of time. This will protect the device from damage due to power surges.
- Do not place the ActivPanel Touch in front of an air conditioning unit to avoid condensation which could cause fire, electric shock or component damage.
- The ventilation holes in the housing are designed to protect the ActivPanel Touch against overheating. Be careful not to block them.
- Do not embed the ActivPanel Touch in a cabinet, unless the cabinet is well ventilated.
- Do not put the ActivPanel Touch on or beside any radiator or heater.
- Never insert any sharp or metal objects into the ventilation holes or signal joints of the ActivPanel Touch.
- Never place, spill or pour any liquid on any part of the ActivPanel Touch. The device could short circuit causing a fire or electric shock.
- Do not use your fingers or any other hard object to knock, press on or scratch the screen of the ActivPanel Touch.
- Do not put any flammable or explosive objects near the ActivPanel Touch.

The remote control operates on 2 x AAA alkaline batteries.

- Risk of explosion if batteries are replaced with incorrect type!
- Incorrect polarity may cause damage or leakage of the batteries, operating injury and contamination of the remote control.
- Keep new and used batteries away from children and pets.
- If the battery compartment does not close securely, stop using the remote control and keep it away from children.
- If you think batteries might have been swallowed or placed inside any part of the body, seek immediate medical attention.

If any of the following occurs, please contact Technical Support:

- The power cable fails or frays.
- Liquid sprays, or any object drops, into the ActivPanel Touch.
- The ActivPanel Touch is exposed to rain or moisture.
- The ActivPanel Touch is dropped or damaged in any way.
- The ActivPanel Touch emits abnormal sounds.
- The ActivPanel Touch emits smoke or odour.
- The performance of the ActivPanel Touch changes substantially.

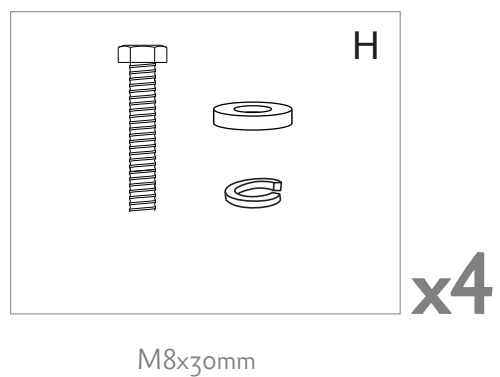
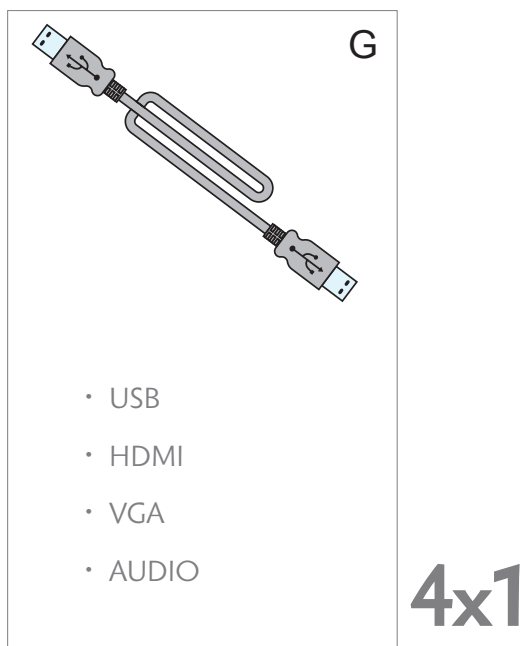
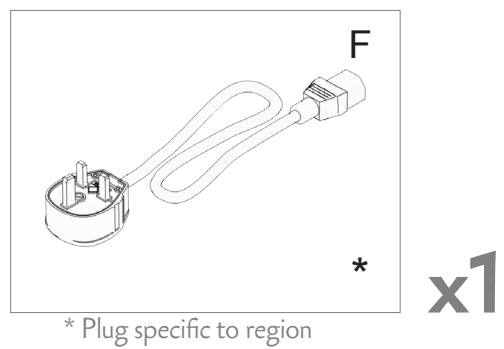
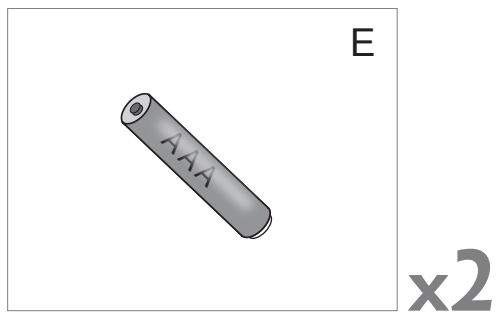
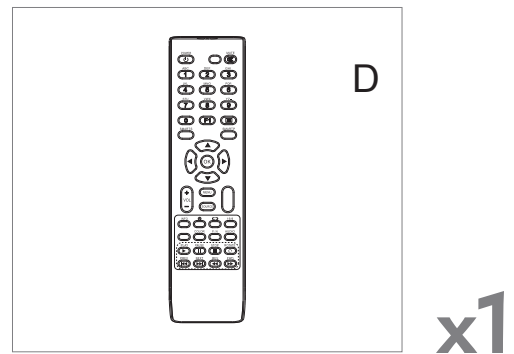
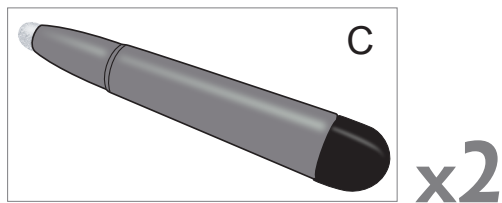
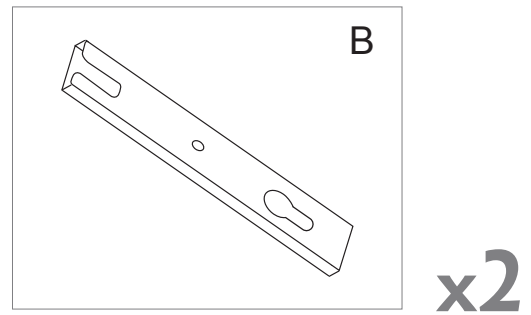
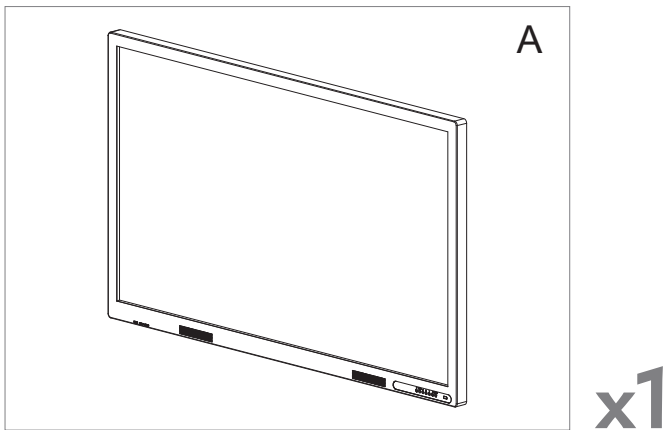
Environmental Considerations

Temperature:

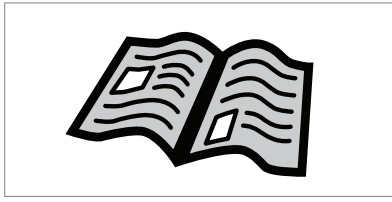
- Operating: 5°C to ~ +40°C
- Storage: -20°C to ~ +55°C

Relative Humidity (non condensing):

- Operating: 10% to ~85%
- Storage: 5% to ~95%



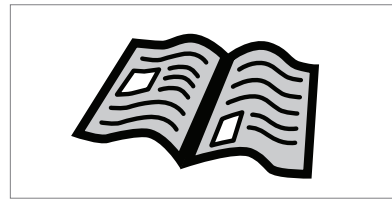
Box Contents



x1

TP1871

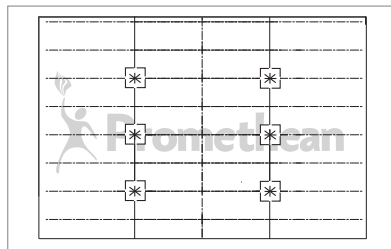
ActivPanel Touch Installation
Guide



x1

TP1872

ActivPanel Touch User
Guide

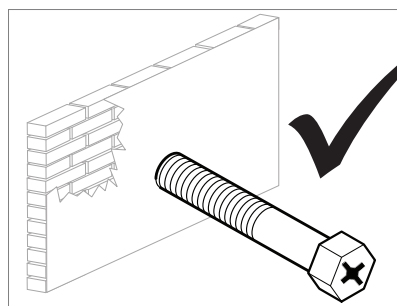
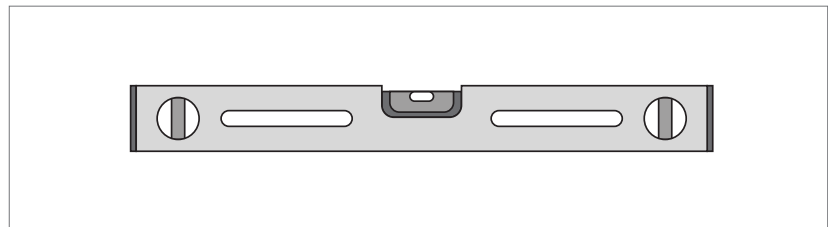
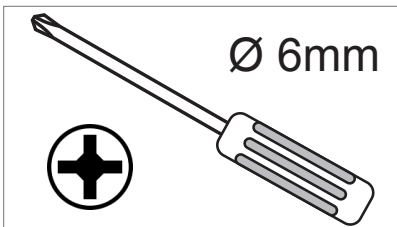
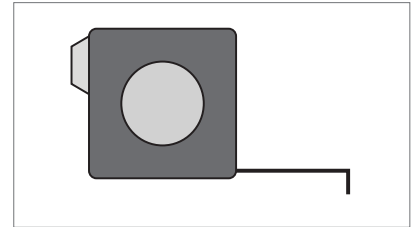
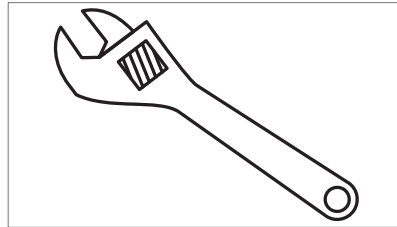
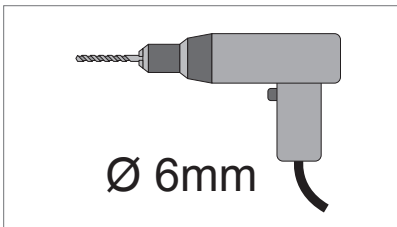


x1

TP1874

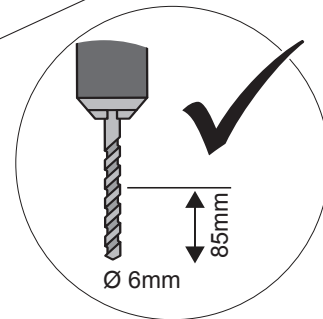
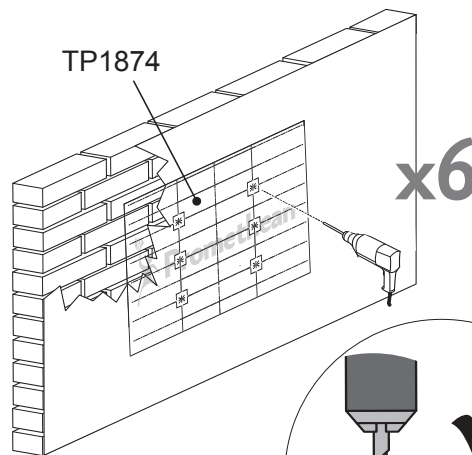
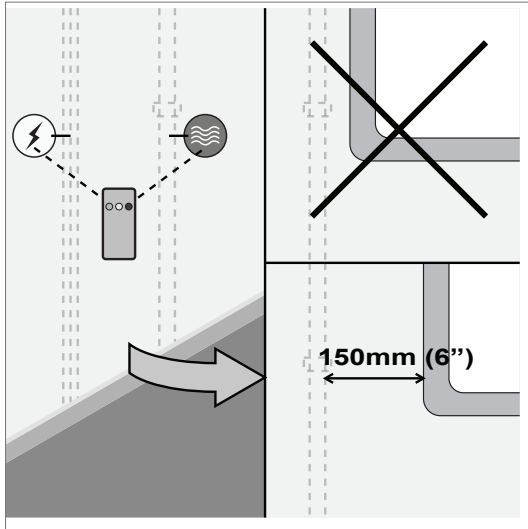
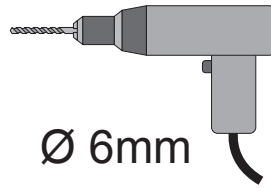
ActivPanel Touch Wall
Drilling Template

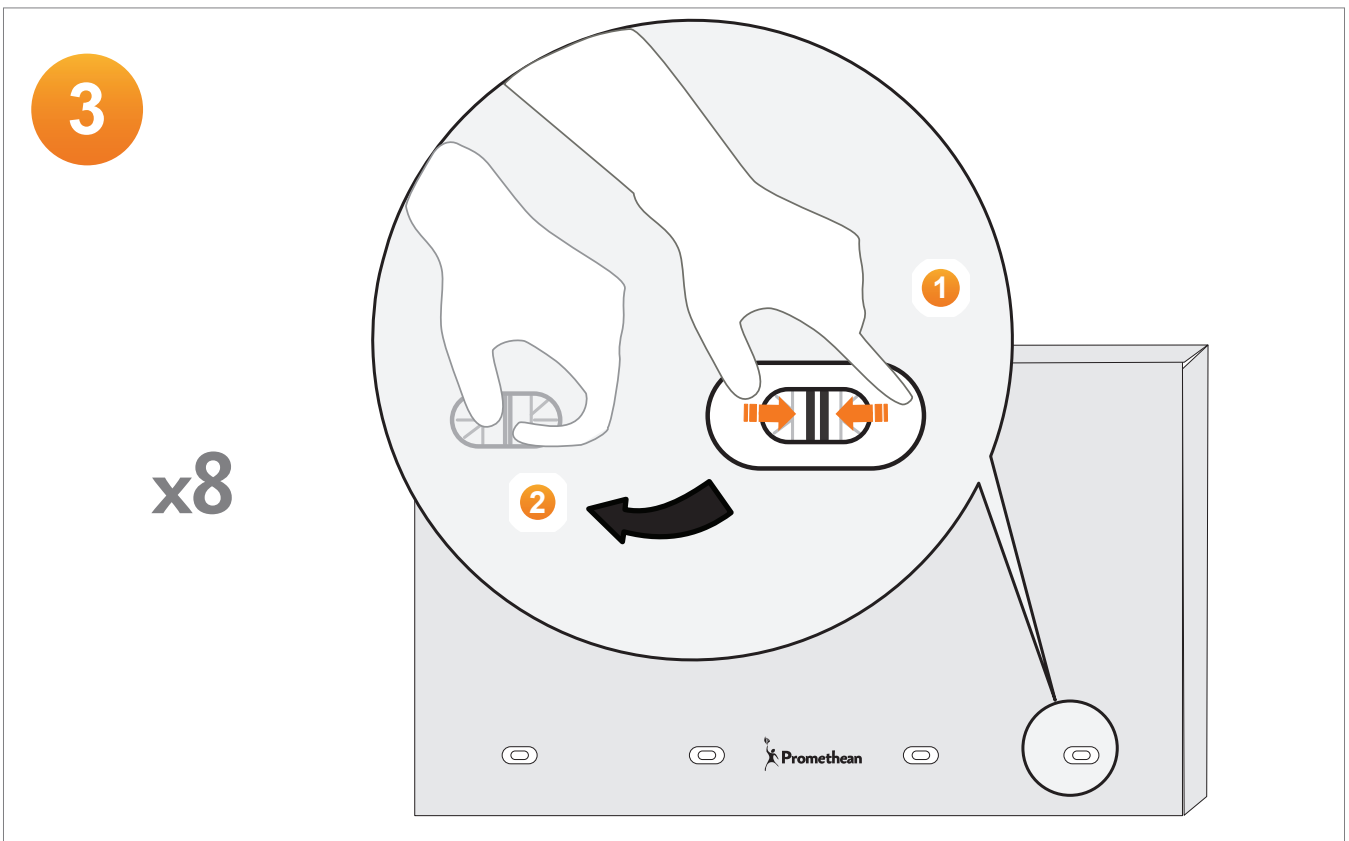
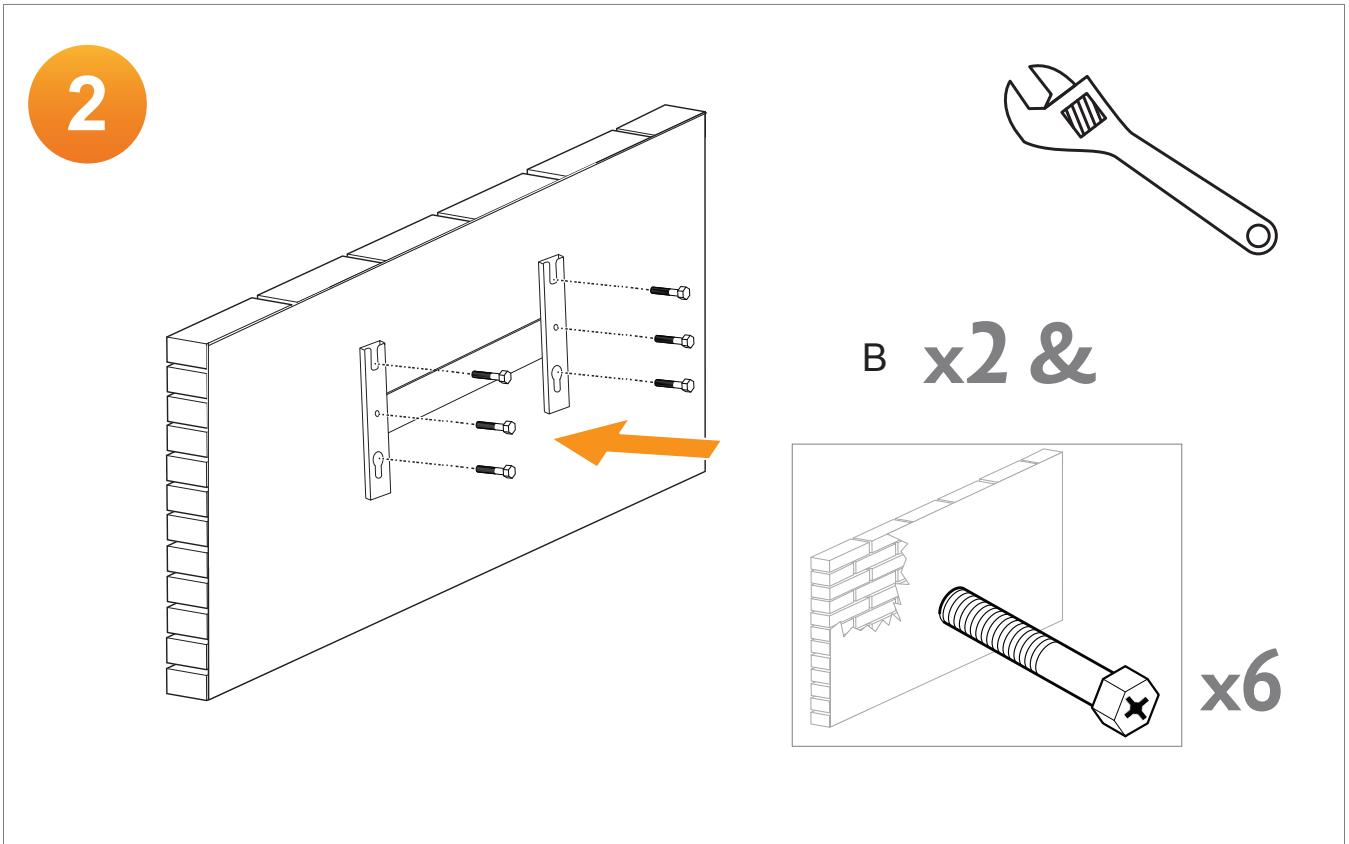
You Will Need

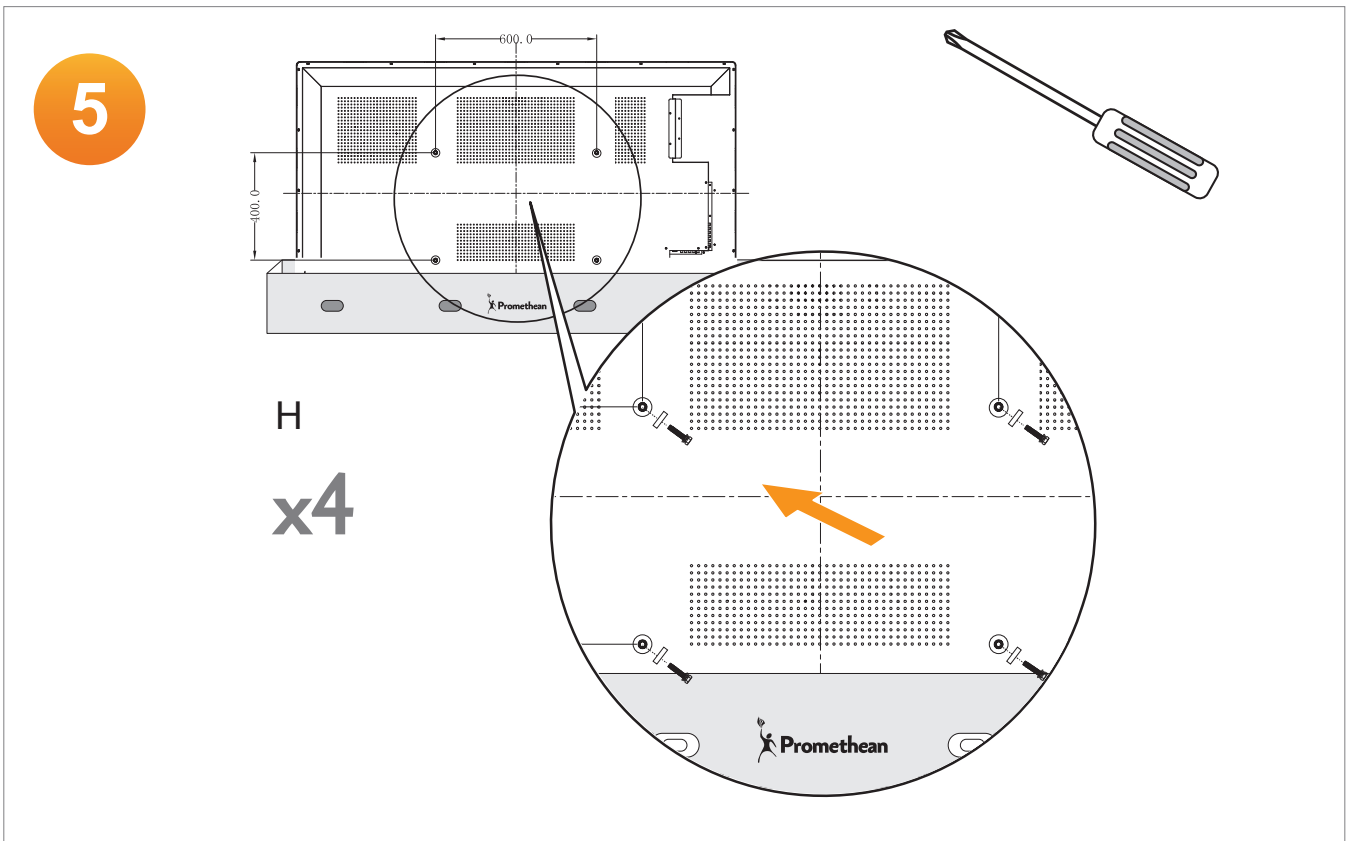
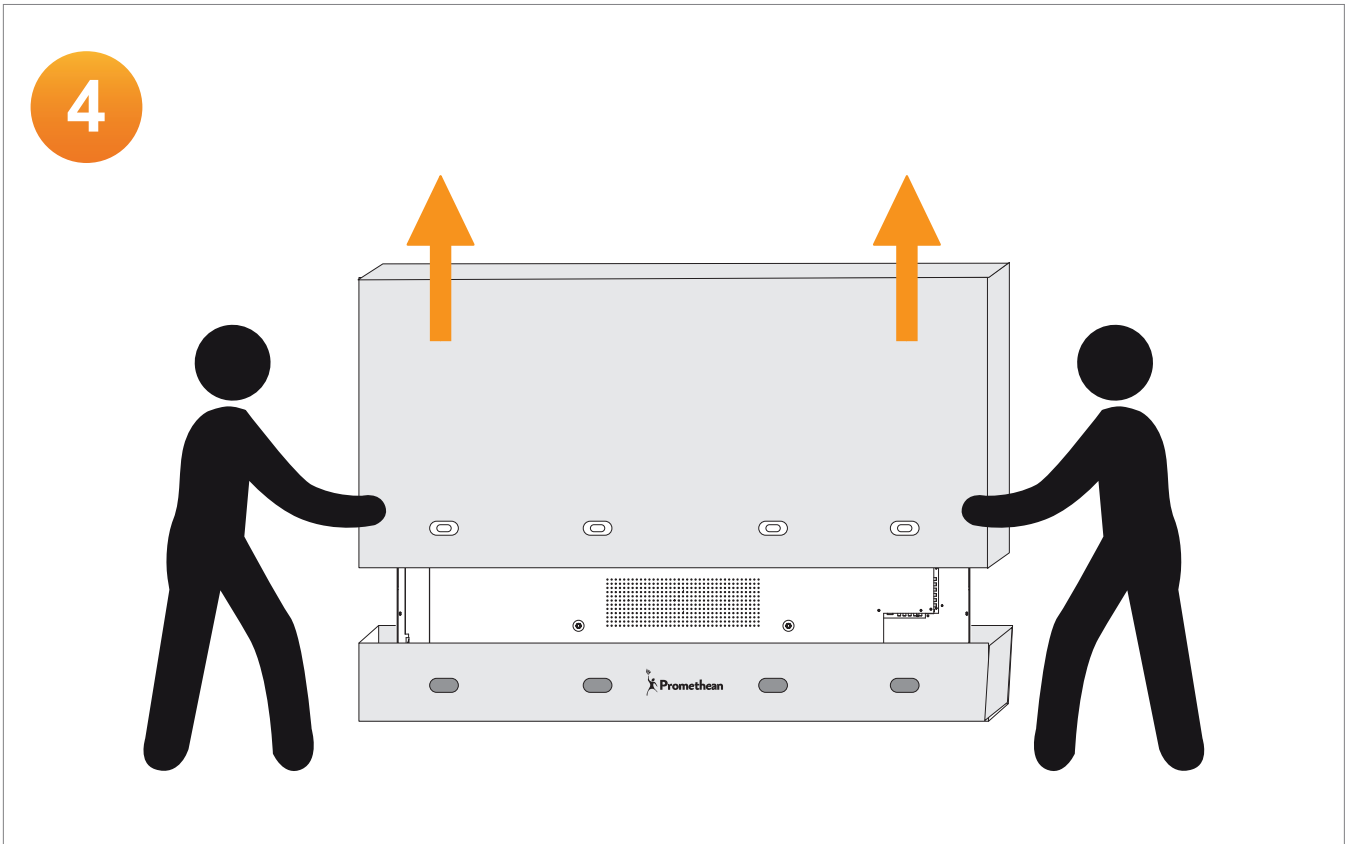


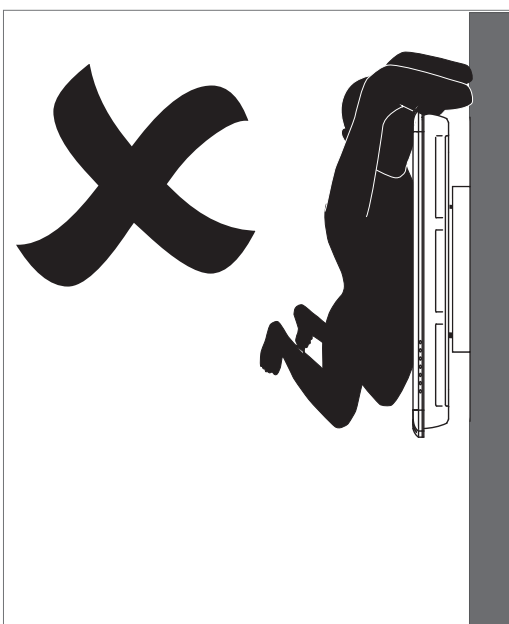
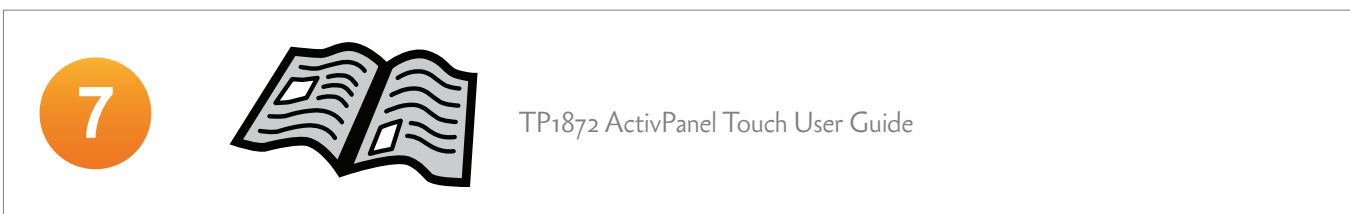
x6

1









 www.PrometheanKB.com

 www.PrometheanWorld.com

